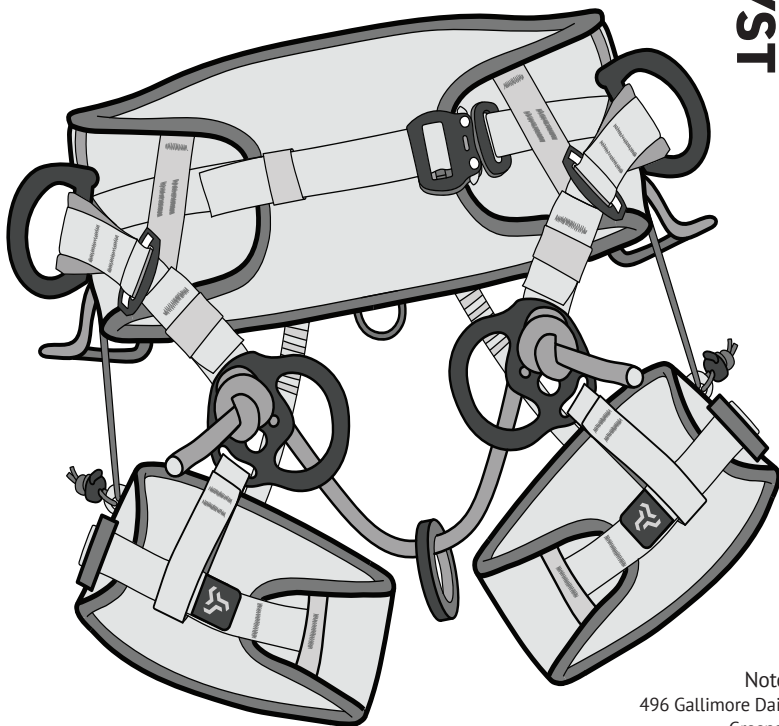


NOTCH[®]

CATALYST



CE 0598

Conforms to PPE Regulation 2016/425.
EN 358:2018
EN 813:2008
Meets Qualification Testing Retirements 25.4.1 & 25.4.2 of ASTM F887-23*
*Not Covered by EU Type Examination

Notch Equipment
496 Gallimore Dairy Road Suite D
Greensboro NC 27409
800-525-8873
NotchEquipment.com

USER INSTRUCTIONS 

Made in Taiwan

V2

⚠ WARNINGS

Activities involving the use of this equipment are inherently dangerous. The product user is solely responsible for their actions and decisions.

Before using this equipment, user must:

- Read and understand all instructions for use.
- Understand, accept, and assume all risks and responsibilities for all damage, injury, or death that may result from use of this equipment.
- Obtain the necessary training from a qualified and competent instructor in its proper use.
- Fully understand and accept its capabilities and limitations.
- Persons with any known medical condition that could affect their safety while using this equipment should not use it.
- Anyone using this equipment should have a copy of these instructions, understand them, and should refer to them before each use.
- Exercise extreme caution in the work environment and avoid hazards, e.g. thermal or electric shocks, mechanical impact, extremes of temperatures, chemical reagents, electrical conductivity.
- Protect all components of your system from sharp edges, cutting, abrasion, climactic exposure, and pendulum falls.
- It is impossible for these instructions to tell you everything you need to know, seek professional training.



**FAILURE TO FOLLOW ANY OF THESE WARNINGS
MAY RESULT IN SEVERE INJURY OR DEATH.**

WARNING SYMBOLS



SITUATION INVOLVING RISK
OF INJURY OR DEATH



IMPORTANT SAFETY
OR USAGE WARNING

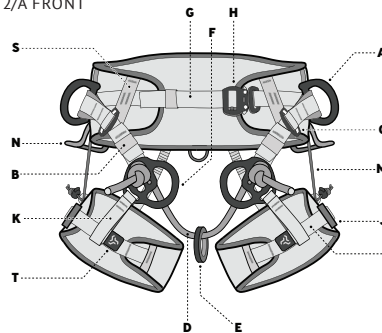


INCOMPATIBILITY

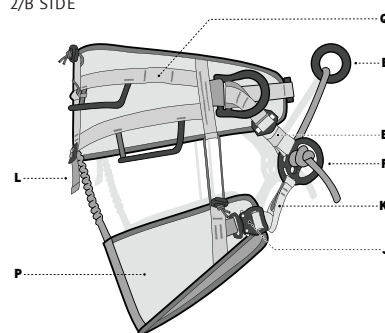
1 / GENERAL (SEE TEXT)

2 / NOMENCLATURE OF PARTS

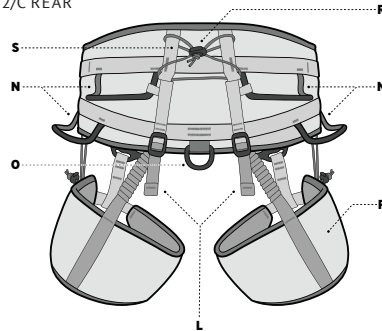
2/A FRONT



2/B SIDE



2/C REAR



- A - Side D ring
- B - Bridge height adjustment strap
- C - Bridge height strap buckle
- D - Rope attachment bridge
- E - Rope bridge ring
- F - Bridge D ring
- G - Waist belt strap
- H - Waist belt quick connect buckle
- I - Leg pad strap
- J - Leg strap quick connect buckle
- K - Leg strap height adjuster loop
- L - Rear leg pad height adjustment strap
- M - Side leg pad adjustment cord
- N - Equipment loop (4)
- O - Chainsaw lanyard anchor ring
- P - Leg Pad
- Q - Tool carrier slot
- R - Elastic band for first-aid kit
- S - Suspender attachment loop
- T - Leg webbing end keeper

3 / INSPECTION, POINTS TO VERIFY (SEE TEXT)

4 / WEARING INSTRUCTIONS

4A

CLOSE BUCKLE

ACTION 1

CLICK

OPEN BUCKLE

ACTION 2

ACTION 3

4B

OPEN: SEE THROUGH WINDOW

CLOSED: SOLID

4C

4D

5 / ADJUSTMENT INSTRUCTIONS

5A

SHORTEN STRAP

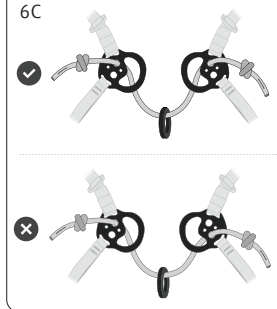
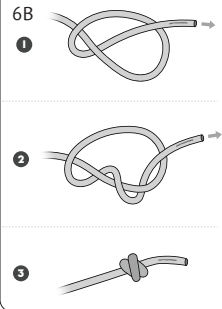
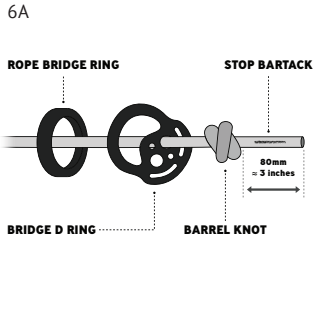
EXTEND STRAP

5B

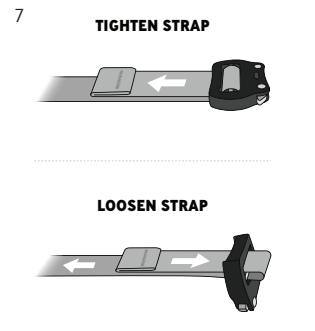
5C

- 1
- 2
- 3
- 4

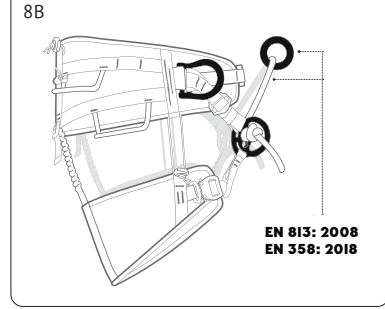
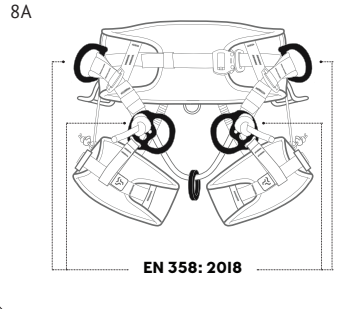
6 / ROPE BRIDGE ADJUSTMENT & REPLACEMENT



7 / QUICK CONNECT BUCKLE OPERATION

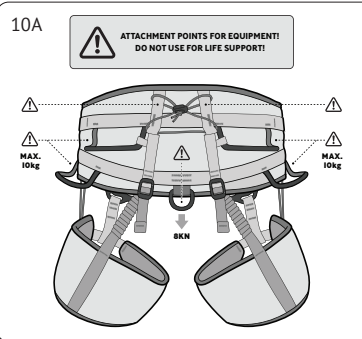


8 / WORK POSITIONING BELT EN 358:2018



9 / LIFESPAN AND REPLACEMENT (SEE TEXT)

10 / PRECAUTIONS FOR USE



1 \ GENERAL

These instructions explain how to correctly use your equipment. Only certain techniques and uses are described.

These instructions for use contain important notes, a control card, and proof of inspection. Before using this product, all documents must have been read and their content understood. Work at height is inherently dangerous activity. User should become acquainted with the product capabilities and limitations, understand, and accept the risks involved before participating. PPE should not be used outside its limitations, or for any purpose other than that for which it is intended.

Failure to heed any of these warnings may result in severe injury or death.

This document must be provided to the user by the retailer in the respective country's language and must be kept with the equipment while it is in use.

FIELD OF APPLICATION

This product is part of personal protective equipment (PPE) for work at height. Sit harness, work positioning belt for tree care work. The product should be allocated to one individual. PPE is designed to protect against falls from height.

Sit harness is intended solely for work positioning, NOT for fall arrest purposes!

Belt is intended solely for work positioning and restraint, NOT for fall arrest purposes!

2 \ NOMENCLATURE OF PARTS (FIG 2)

- A - Side D ring
- B - Bridge height adjustment strap
- C - Bridge height strap buckle
- D - Rope attachment bridge
- E - Rope bridge ring
- F - Bridge D ring
- G - Waist belt strap
- H - Waist belt quick connect buckle
- I - Leg pad strap
- J - Leg strap quick connect buckle
- K - Leg strap height adjuster loop
- L - Rear leg pad height adjustment strap
- M - Side leg pad adjustment cord
- N - Equipment loop (4)

O - Chainsaw lanyard anchor ring

P - Leg Pad

Q - Tool carrier slot

R - Elastic band for first-aid kit

S - Suspender attachment loop

T - Leg webbing end keeper

3 \ INSPECTION, POINTS TO VERIFY

Your safety depends upon the integrity of your equipment.

Notch Equipment recommends a detailed inspection by competent person at least once every 12 months (depending on current regulations in your country, and your conditions of use). Record the results on your PPE inspection form: type, model, manufacturer contact info, serial number or individual number, dates: manufacture, purchase, first use, next periodic inspection, problems, comments, Inspector's name, and signature. See the Inspection in section 12.

Before Each Use

Prior to each use, carefully inspect this equipment for indications of wear or deterioration. The inspection should include but not be limited to inspection for:

- Tearing, cuts, severe abrasion of the webbing or rope
- Burnt, singed, or melted webbing or rope
- Faded, discolored from exposure to ultraviolet light, chemical exposure of webbing or rope
- Worn or pulled threads (broken fibers)
- Nicks, cracks, distortion, or corrosion of hardware (buckle, side D ring, bridge D-ring, etc.)
- Nonfunctional waist or leg buckles
- Evidence of involvement in dynamic fall
- Readability of the marking
- Any indications for impact loading

During Use

It's important to regularly monitor the condition of the product and its connections to the other equipment in the system. Make sure all equipment is correctly positioned.

Note: All load bearing bartacks are constructed of contrast color stitching for easy identification.

If any evidence of wear or deterioration as outlined is observed, immediately cease use, destroy the product, and replace with new equipment. Retire Harness immediately if there is any doubt in its condition for safe use or if the harness has arrested a fall. Should any unusual conditions not outlined above be observed, or you have reasonable doubt about a particular condition, remove the equipment from service. Failure to

inspect your equipment carefully and completely could result in serious injury or death.

Compatibility

Verify that this product is compatible with the other elements of the system in your application (compatible = good functional interaction). Equipment used with your harness must meet current standards in your country (e.g. EN 362 carabiners).

4 \ WEARING INSTRUCTIONS (FIG 4)

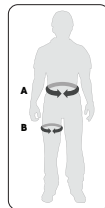
Thoroughly inspect harness and all components before each use. Your safety is related to the integrity of your equipment.

- Open the waist belt quick connect buckle (Fig 4A)
- Open the leg strap quick connect buckles (if necessary)
- Hold the harness facing forward and step into the harness
- Raise harness into position just above your hip bones (Fig 4C)
- Ensure the work positioning side D rings are slightly forward of the hip then close the waist belt connect buckle
- Pull on the waist belt strap until strap feels snug (Fig 4D), fold excess strap into the waist strap keeper
- Close the quick connect waist belt buckle
- Review and confirm proper connection (Fig 4B)
- Wrap the leg straps around the leg so that the padded portions of the leg straps are behind the leg and the buckles are on the side of the leg
- Close the quick connect leg strap buckles (if not connected)
- Adjust the leg strap as necessary so they are snug, but comfortable
- Fold the excess strap into the elastic leg strap keeper

5 \ ADJUSTMENT INSTRUCTIONS (FIG 5)

Adjust the fit of your harness so that your body is supported with weight evenly distributed between the belt and leg straps, balanced to hang upright and relaxed, without uncomfortable pinching or pressure. Fit the harness before your first climb where you can hang.

Choose the correct size:



Size	Waist Belt (A)		Leg Loops (B)	
1	80-110 cm	31-43 in	60-75 cm	23-29 in
2	96-132 cm	38-52 in	66-82 cm	26-32 in

Bridge Height Strap Adjustment

- Locate the Bridge height strap buckle (C) positioned between the Bridge D ring (F) and the Side D ring (A)
- Using thumb pull back on the tension buckle releasing the webbing to extend distance (Fig 5A), to shorten simply loosen webbing and work it back through the tension buckle
- Fold the excess strap into the elastic strap keeper
- Tightening the adjustment straps will bring the bridge closer to your body while loosening them will move the bridge away from your body.

Leg Strap Height Adjustment

- Locate the Leg strap height adjuster loop (K) positioned between the Bridge D ring (F) and Leg pad strap (I) (Fig 5B)
- Open the quick connect leg strap buckle
- Remove webbing end keeper (Fig 5C)
- Pull webbing through the buckle and leg strap adjuster
- Adjust height of the leg strap by passing the webbing through chosen height location
- Reinsert webbing back through the quick connect buckle
- Reinstall webbing end keeper
- Fold the excess strap into the elastic strap keeper

Rear Leg Strap Adjustment

- Adjust the length of the elastic webbing by pulling in either direction through the plastic friction buckle, retain excess webbing in the strap loop keeper
- Proper adjustment of the rear leg strap will ensure the pads are in the correct distance below the waist

6 \ ROPE BRIDGE ADJUSTMENT & REPLACEMENT (FIG 6)

To adjust the length of the bridge, untie the bridge end termination knot and retie at desired length (Fig 6A). Notch replacement rope bridges are supplied separately. Use only approved replacement bridge (manufactured from approved arborist climbing rope) supplied by Notch Equipment or approved reseller(s).

Tying the Rope Bridge Barrel (Stopper) Knot

This stopper knot is recommended by the manufacturer to secure the rope bridge. It stops the rope from passing through the hole(s) in the Bridge D Ring. The knots should be hand-tightened to prevent any possibility of movement/slippage.

- Pass the free rope end from the outside of the Bridge D Ring,
- Using either top or bottom hole pass it through the Rope Bridge Ring, then through the opposite Bridge D Ring

- Secure by tying Barrel knot on the outside of the Bridge D ring with a tail, with minimum of 3 inches in length
- Construct the knot as shown in Fig 6B. Repeat on opposite side
- Ensure rope passes though the same hole in each Bridge D ring (Fig 6C)
- After attaching the rope bridge to the harness, verify knot stability in a hanging test (user weight) in a non-fall environment

7 \ QUICK CONNECT BUCKLE OPERATION (FIG 7)

To open the buckle, press both buttons releasing the frame.

8 \ WORK POSITIONING BELT EN 358:2018 (FIG 8A&B)

These attachment points are designed to either hold the user in position at the work station, or to prevent the operator from entering a zone where a fall is possible. Attachment points according to EN 358:2018 must only be used to attach a restraint or work positioning system. The connection device for work positioning belts must be kept tight, the anchor point must be above or at hip height.

These attachment points are not designed for fall arrest usage. It may be necessary to supplement work positioning or travel restraint system with collective or personal fall arrest systems.

D Rings

The two side D Rings or the Bridge Plate D Rings must always be used together (e.g., DO NOT USE one Side D Ring and one Bridge Plate D Ring).

Seat Harness EN 813:2008

Designed for progression on rope and work positioning. Use attachment bridge to attach a descender, positioning lanyards, or progression lanyards. This attachment point is not suitable for fall arrest.

9 \ LIFESPAN AND REPLACEMENT

The lifespan of the product will depend on frequency of use and external conditions. This product is made from synthetic fiber (polyamide, polyester, aluminum alloy, steel). Part of these components degrade over time.

When to Retire the Equipment

A product must be retired when:

- It's over 10 years old and made of plastic or textiles
- It has been subjected to a major fall (or load)
- It fails to pass inspection. You have any doubt as to its reliability

- You do not know its full usage history
- When it becomes obsolete due to changes in legislation, standards, technique, or incompatibility with other equipment

Storage

Store in a clean, cool, dark, place free of acids, alkalis, exhaust emissions, rust and strong chemicals. Store without mechanical stress caused by jamming, pressure or tension.

Transport

The product must be transported to avoid direct sunlight, moisture, chemicals, dirt, extreme temperatures, and mechanical damage.

Cleaning

Clean soiled products in lukewarm water (if necessary, use pH neutral soap). Rinse well. Hang dry at room temperature in well ventilated area out of direct sunlight, never use a tumble dryer. If required, halogen-free commercial disinfectants may be used. Metal hardware parts (anchor plates, buckles, etc.) should be cleaned and dried. If necessary, minor sharp edges may be polished using a fine abrasive cloth before cleaning. PPE should be allowed to fully dry before returning to service.

Warnings for Rope Bridge

Rope bridge attached to this harness is designed to be replaced by the user at regular intervals. Interval will be dictated by the frequency of use and external working conditions rather than set time.

Manufacturer does not place a time limit on the replacement of the rope bridge. Due to the rigorous strain the rope bridge endures, it should be replaced at the earliest signs of wear. Bridge should be carefully inspected prior to each use. This inspection should include but not be limited to: rope cuts, nicks, tears, kinks, abrasions, burns, excessive swelling, excessive jacket wear, discoloration, broken, fraying, or unraveling fibers, loose stitching, chemical or physical exposure.

Failure to regularly inspect and replace the rope bridge could result in injury or death. Rope Bridges should not be used 10 years after the date of manufacture. Only use Notch Equipment approved rope bridges.

- Manufacturer's instructions shall be provided by the user of this product. If additional copy is needed, contact Notch Equipment
- Completely read, understand, and follow all instructions, warnings, and cautions pertaining to this harness and all associated equipment before use. Failure to do so could result in serious injury or death
- Make sure the markings on the product are legible
- Service (repairs) may only be carried out by the manufacturer

or a center authorized by the manufacturer

10 \ PRECAUTIONS FOR USE (FIG 10A)

- Notch® harnesses are manufactured in accordance with EN 358:2018, EN 813:2008, ASTM F887 and are intended for use as personal protective equipment to comply with the requirements of ANSI Z133-12
- This product is designed to be used by one person with a maximum weight of 150 kg (330 lbs) when fully equipped
- This harness is not designed to be used with a retro fit FALL ARREST HARNESS.
- Notch harness is to be used for work positioning and suspension only, NOT FOR FALL ARREST. A full body harness is the only acceptable body holding device for fall arrest applications.
- Consider incorporating a back up fall arrest system
- In any case of fall arrest use, a fall arrest system according to EN 363 should be used. If you use a fall arrest system, it must be ensured that the necessary free space in the work area beneath the user (clear height) of 7 m is guaranteed
- Retire and destroy the harness and all other PPE if involved in the fall or if any doubt should arise in its safe use
- Retire harness if it's been seven or more years past the manufacturing date
- This PPE shall only be used by a person trained and competent in its safe use
- Users must be aware that poor physical and/or mental health can jeopardize safety under normal conditions and in emergencies
- Prior to first use, the user should carry out a suspension test in a safe place that the equipment is of the correct size, has sufficient adjustment and is of an acceptable comfort level
- Before using the equipment, the user must ensure that, in the event of falling into personal protection equipment system, the person caught can be rescued immediately, safely and effectively. A rescue plan for all work operations is recommended
- In case of an emergency, an accident or loss of consciousness prevent the victim from suspension trauma. Suspension trauma can cause serious harm to health and death
- Keep equipment from contacting with sharp edges, abrasive surfaces, extreme temperatures, excessive UV rays, chemical agents, moving machinery, and electrical hazards. Exposure to these elements may compromise the integrity of the equipment
- If equipment become saturated with water, it should be allowed to fully dry before returning to service.
- Always visually check that all buckles are properly closed

- The loops centered at the rear of the back pad are intended for connection of harness suspenders only (Fig 9). Harness suspenders are not safety products. Suspenders are designed to support only the weight of the saddle and the equipment it contains, NOT the individual.
- Accessory loops (4), tool holder slots (4), accessory loops (2) are attachment points (Fig 9) for equipment ONLY. Do not use for any life safety attachment, gear loops are not suitable for anchoring or belaying
- During use all fastening and adjusting elements must be regularly checked to ensure proper adjustment and closure
- Attach only connecting devices meeting standard/regulations for intended use for positioning and suspension to harness Side and Bridge D rings
- Only positioning equipment, such as lanyards, should be attached to Side or Bridge D rings, as D rings are not intended for fall arrest
- The equipment should not be modified in any way or altered to allow attachment of additional parts without the manufacturer's written recommendation
- Make sure the anchor point is correctly positioned in order to limit the risk and the height of the fall
- A reliable anchor point should be used that meets or exceeds the 18 kN requirement of EN 795 Type B anchor devices.
- For Connecting to the anchor points only use PPE partial systems (e. g. connecting elements (carabiners) to EN 362)
- When combining this product with other components, the safety aspects of the products may interfere with each other
- If this product is used in combination with other components of a rescue/fall arrest system, users must acquaint themselves with the enclosed recommendations, notes and instructions for these components prior to use and comply with them

Warranty

Every Notch harness carries a limited lifetime warranty against defects in materials and workmanship. Notch Equipment will replace the defective product at no charge and return it back to the customer.

Coverage terminates if the product is sold or transferred.

Returns

You may return your Notch product for any reason. Please call Notch Equipment at 866-345-2468 to request a Return Merchandise Authorization (RMA). Mark the package with the RMA number and follow the instructions on the enclosed return slip.

Returned products will be inspected within three working days of receipt and you will be contacted with the results of the

inspection. Depending on our findings, Notch Equipment will replace your product or refund your purchase price, at our sole discretion. The use of unauthorized replacement parts will void manufacturer's warranty.

11 \ TRACEABILITY AND MARKINGS

A - Manufacturer: Notch Equipment

B - Model: Sentinel 2

C - Item No: SNTLH-1 / SNTLH-2

D - Size: 1 - small, Size: 2 - large;

E - Conforms to EN PPE Regulation 2016/425

F - Notified Body Controlling Manufacturing

G - State of the Art (EN Harmonized Standards)

H - Max Load: 140 kg (302 lb)

I - Lot number: XXXX

J - S/N: XXXXXXX

K - MM/YY: Month and year of manufacture

L - Read Instructions and Information for Use

M - Do not remove marking tag

N - Country of Origin

O - Scannable QR Code

P - Brand Website

Q - Instructions on how to Buckle Sit Harness/Waist Belt

R - Meets Qualification Testing Requirements 25.4.1 & 25.4.2 of ASTM F887-23

EU Type Examination performed by: SATRA Technology Europe Ltd, (NB No. 2777) Bracetown Business Park, Clonee D15 YN2P, Ireland

Notified Body Controlling Manufacturing: 0598 SGS

Fimko Oy, Tacomotie 8, FI-00380, Helsinki, Finland

Conforms to PPE Regulation 2016/425

EU Declaration of Conformity can be found at <https://notchequipment.com/downloads>

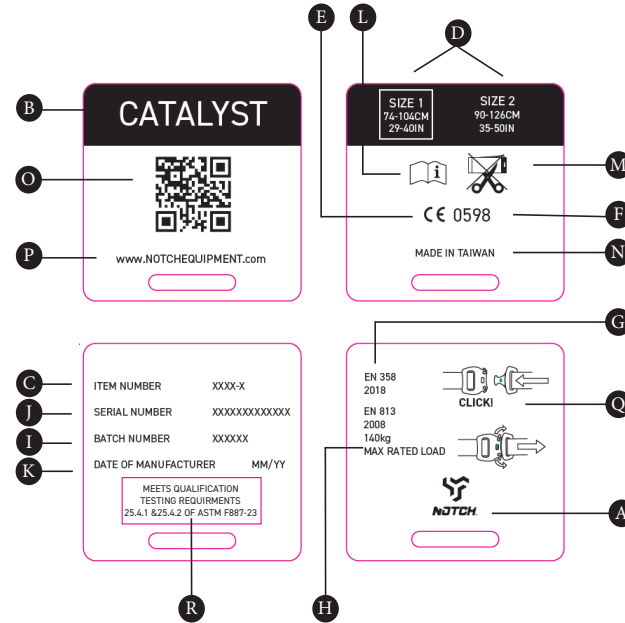
Manufacturer:

Notch

<https://notchequipment.com>

496 Gallimore Dairy Rd. STE D, Greensboro, NC 27409, USA

Made in Taiwan





NOTCH[®]

Notch Equipment
496 Gallimore Dairy Rd Ste D
Greensboro, NC 27409
NotchEquipment.com